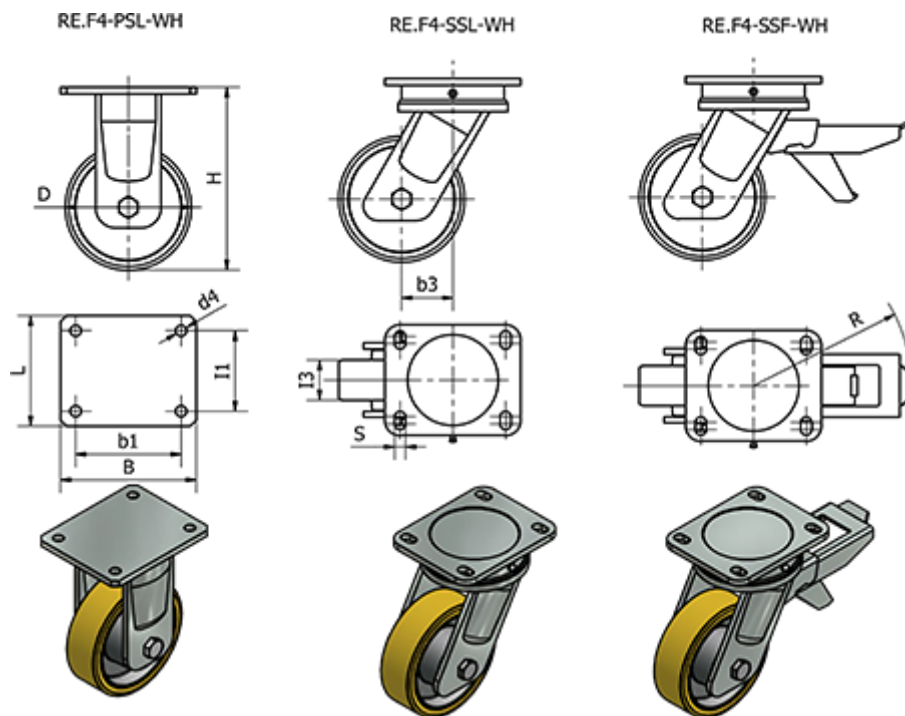


Article number: 2314451465

Description: E+G Cast iron wheel 451465
RE.F4-125-PSL-WH - Fixed plate

Measures



B	= 135	I1	= 80
b1	= 105	I3	= 50
b3	= 51	L	= 110
Code	= 451465	R	= 157
D	= 125	Rolling resistance (N)	= 2700
d4	= 11	s	= -
Dynamic carrying capacity (N)	= 5500	Type	= RE.F4-125-PSL-WH
H	= 182	Weight (g)	= 4880